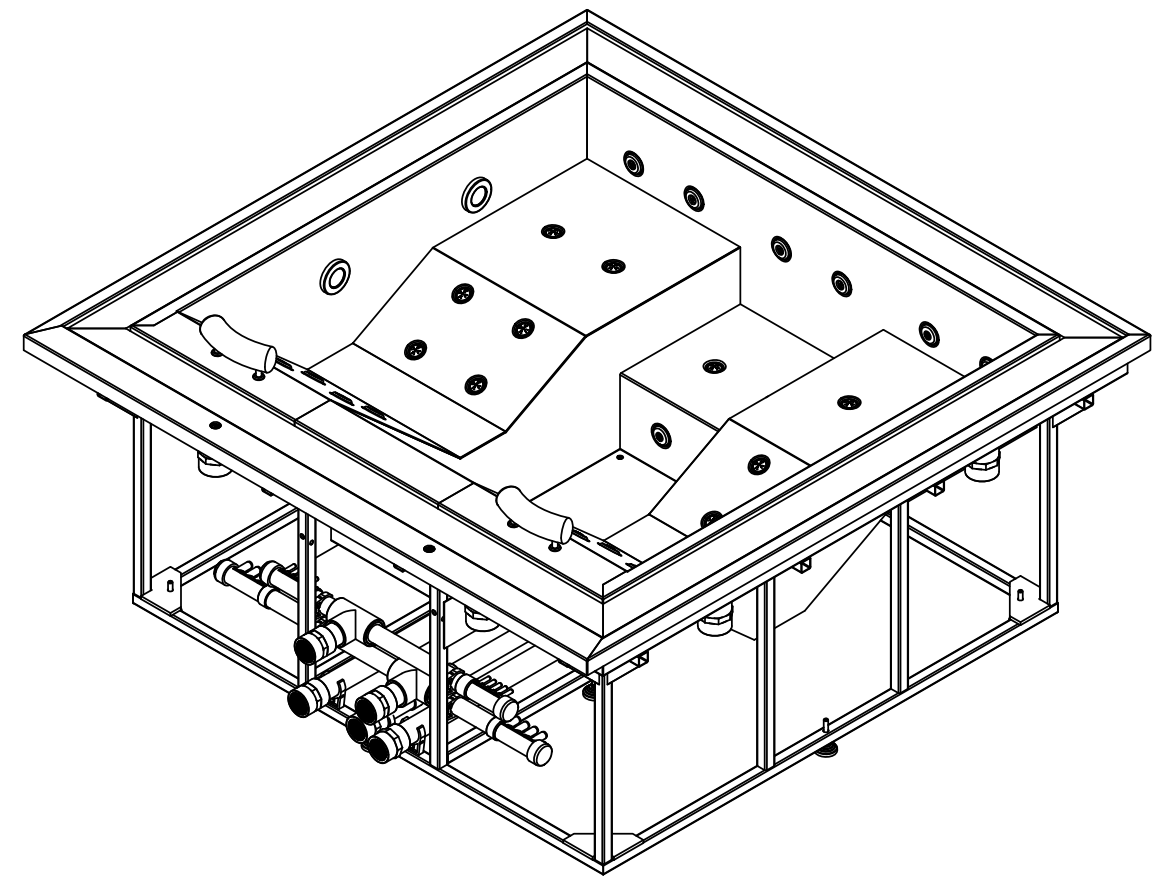

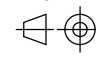


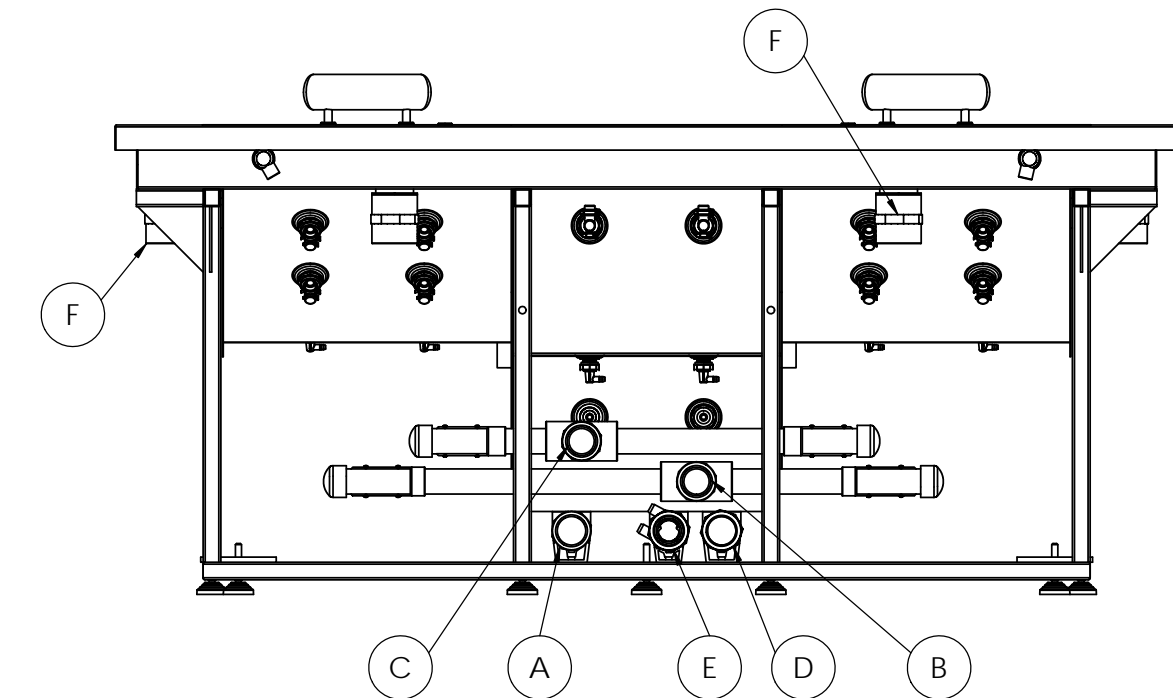
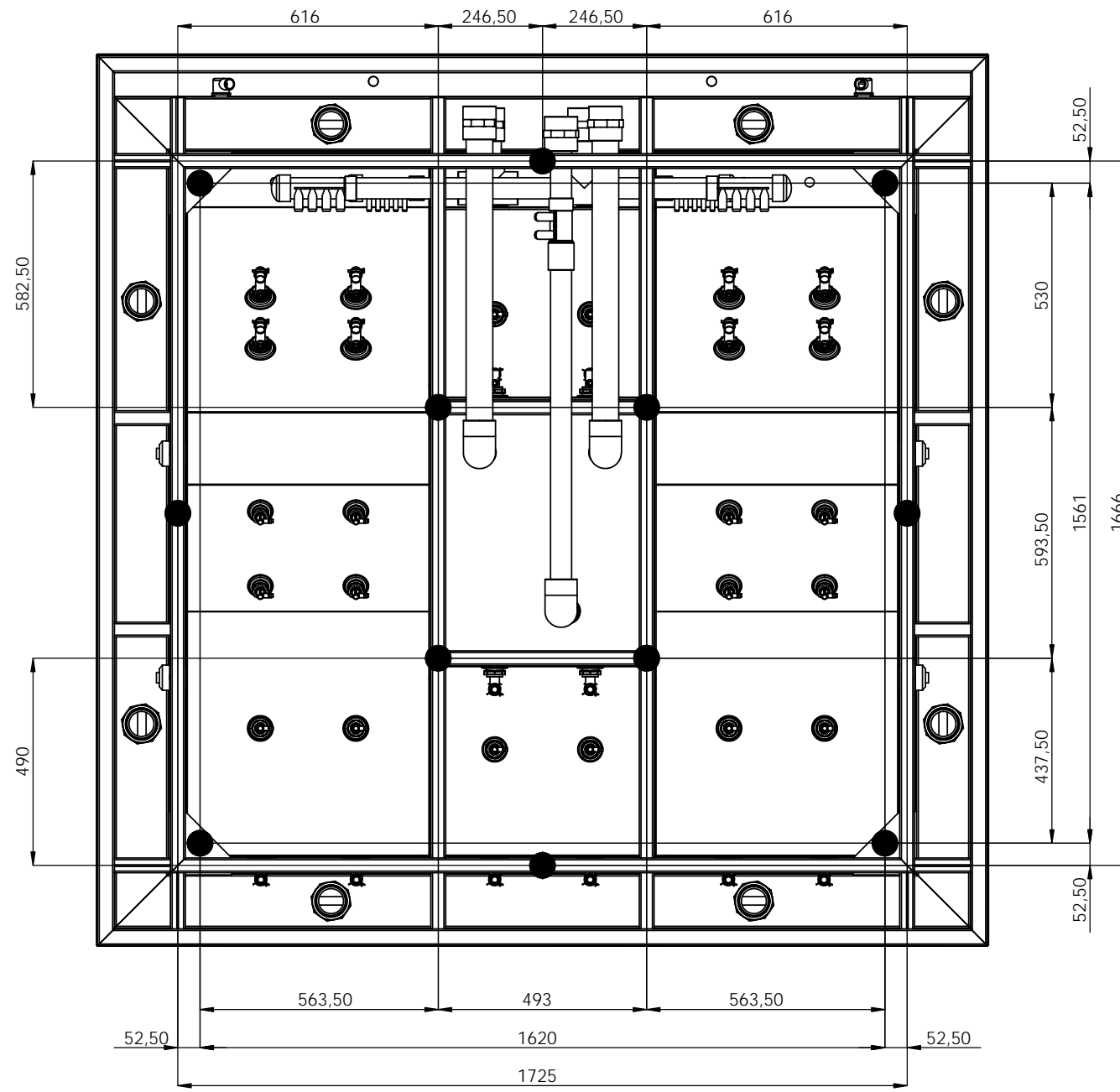
↑ ↑
HYDRAULIC CONNECTIONS ACCESS



VALID FROM 15/01/2016

According to our policy of continuous improvement, dimensions, features or components of this product can be partially or completely changed without prior notice. It's Customer responsibility to verify that this is the last version of the drawing

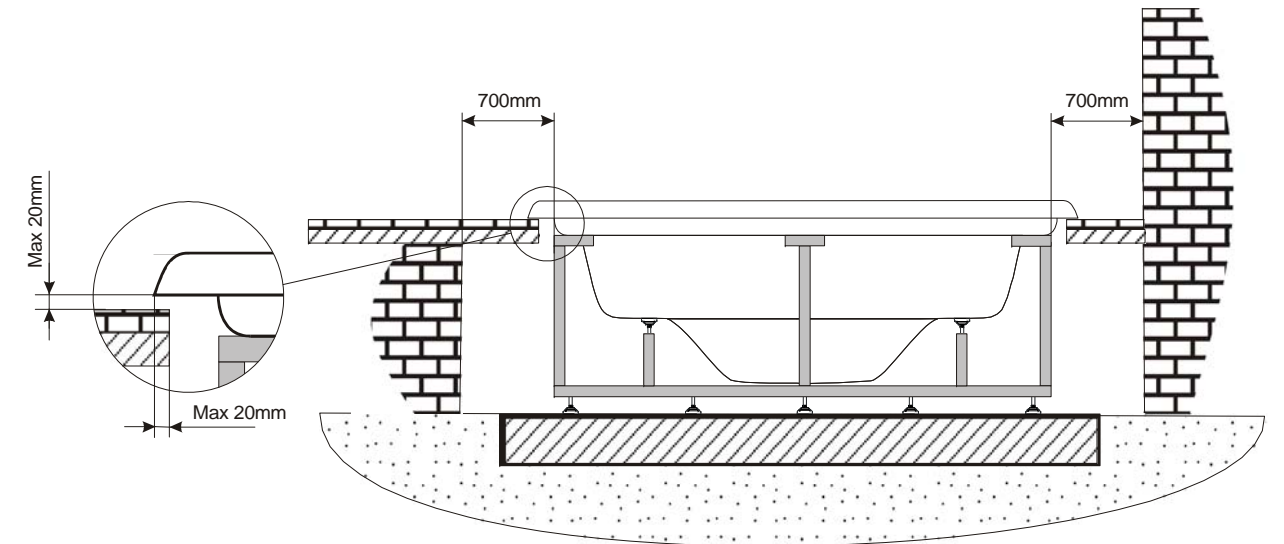
02	19/04/2016	I.Pozo	New Templates
01	01/07/2011	J.Jorba	
Change No.	Date	Name	Modification
Remarks			COMMERCIAL
Dimensions in mm. General Tolerances +/- 10mm			
Drawn	14/10/2009	M.Baraut	
Checked	14/10/2009	A.Deu	
Scale	1:15		Part Number 46027
Sheet	1/3		
General Tolerance DIN 7168 ISO 2768g			Rev. 02
			First Angle Projection 



A	Suction-Water Massage Pump 1	2" BSP FEMALE THREAD
B	Return-Water Massage Pump 1	2" BSP FEMALE THREAD
C	Return-Air Massage	2" BSP FEMALE THREAD
D	Suction-Filtration Pump Bottom Spa	2" BSP FEMALE THREAD
E	Return-Filtration Pump Inlets	2" BSP FEMALE THREAD
F	Overflow Drains (8x)	Ø75 FEMALE SOLVENT SOCKET

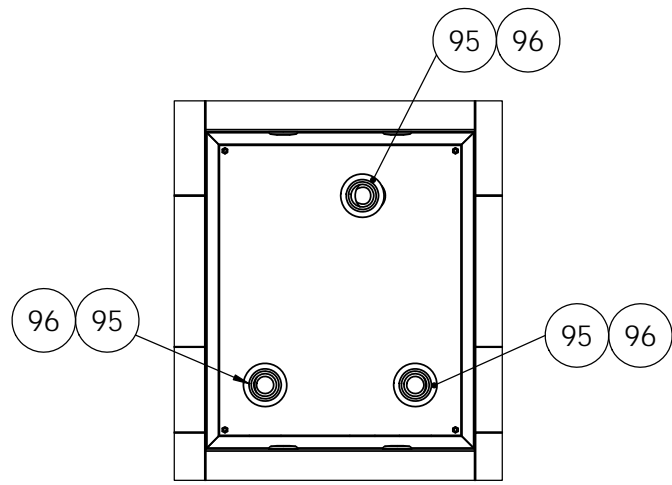
VALID FROM 15/01/2016

WARNING:
It's essential to keep a minimum clearance access of **700mm** all around.

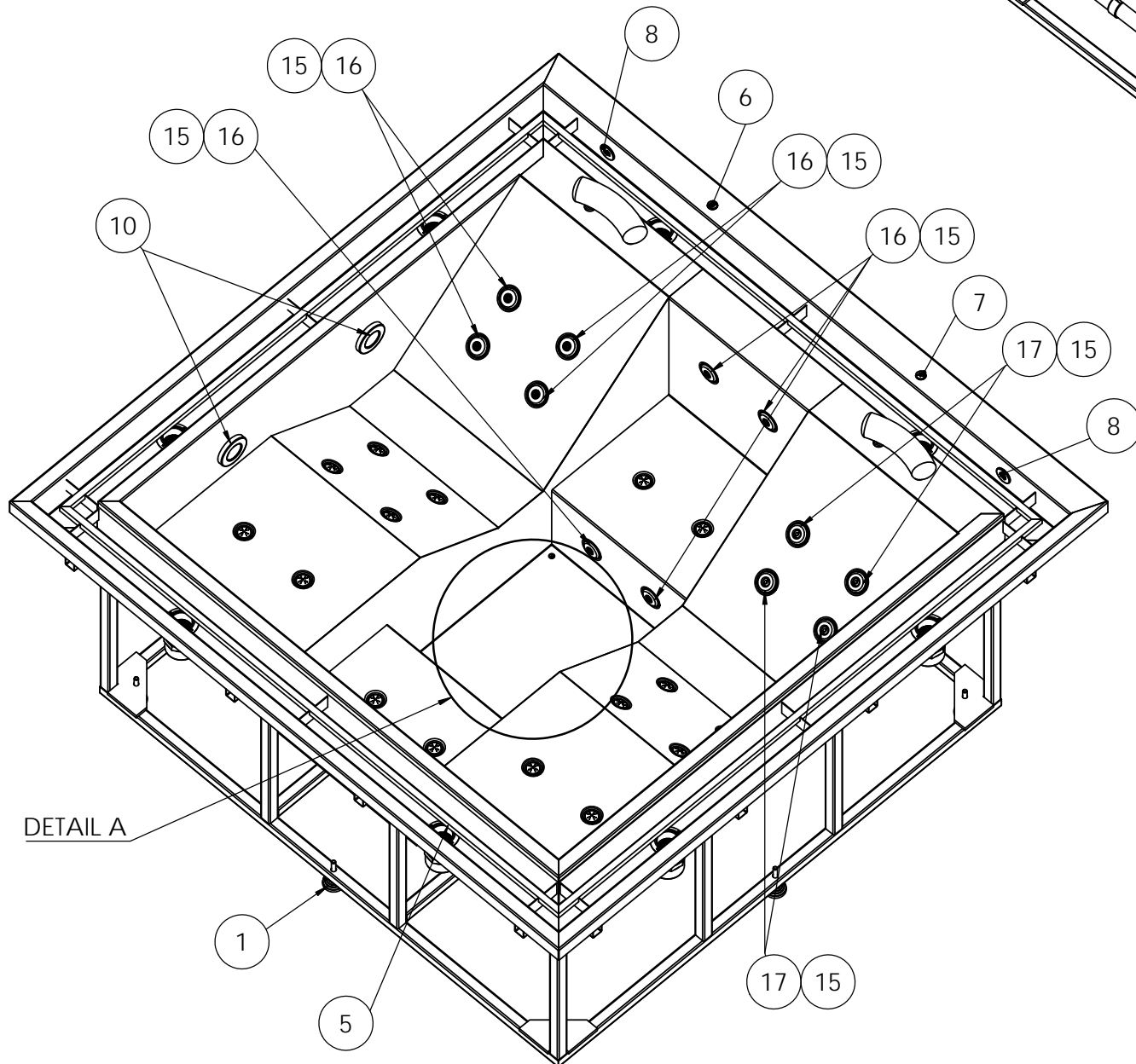
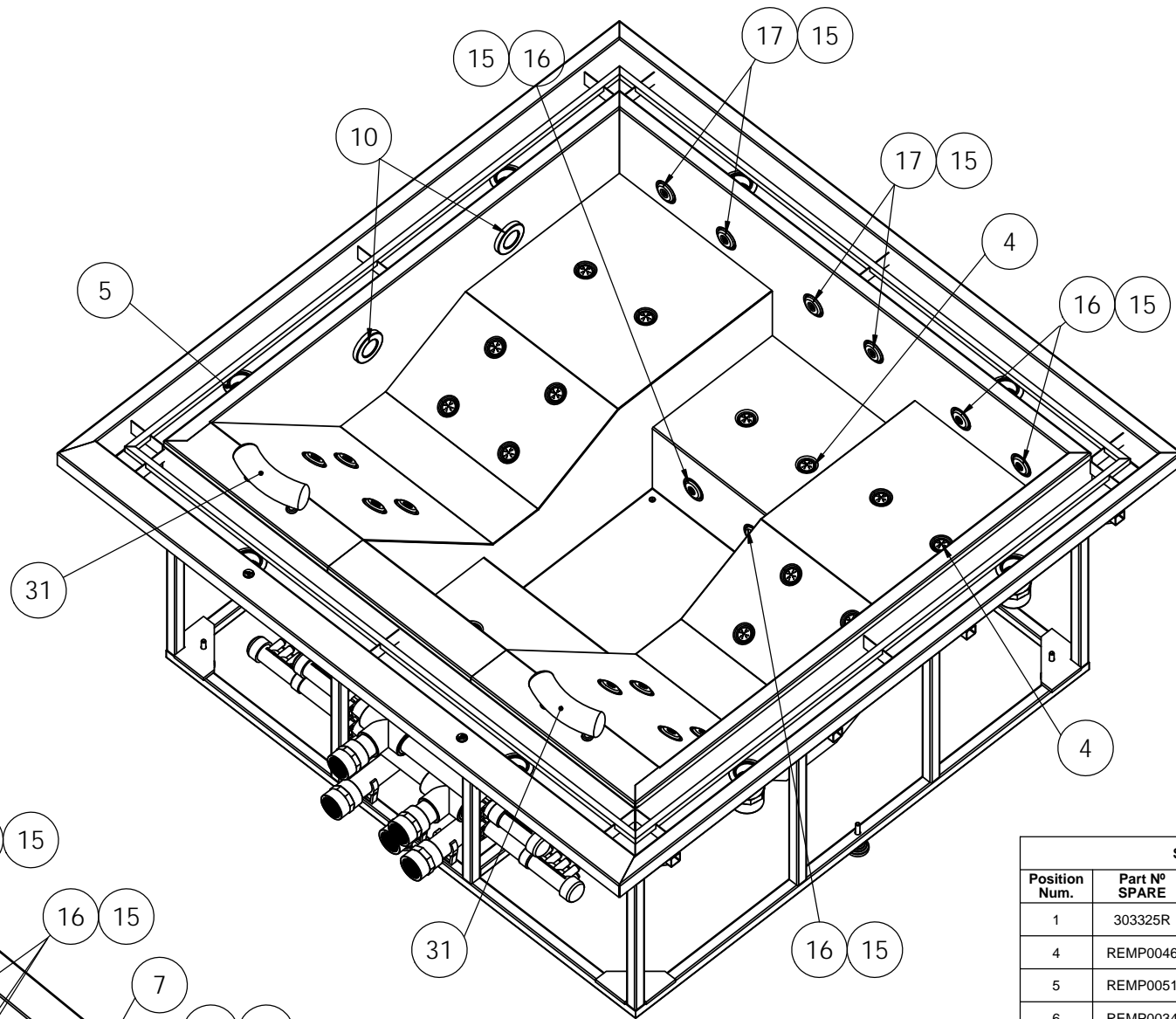


According to our policy of continuous improvement, dimensions, features or components of this product can be partially or completely changed without prior notice. It's Customer responsibility to verify that this is the last version of the drawing

Change No.				Date				Name				Modification			
02				19/04/2016				I.Pozo				New Templates			
01				01/07/2011				J.Jorba							
Remarks								COMMERCIAL							
Dimensions in mm. General Tolerances +/- 10mm															
Drawn		14/10/2009		M.Baraut				Part Number		46027		Rev.		02	
Checked		14/10/2009		A.Deu				IBERSPA				First Angle Projection			
Scale 1:15		General Tolerance		DIN 7168 ISO 2768g											
Sheet 2/3															
Property of IBERSPA S.L. Avda. Pla d'Urgell 2-8 25200 Cervera, Spain. Don't use without permission. Keep this information confidential and use it solely for the permitted purpose.															



A (1 : 15)



DETAIL A

STAINLESS STEEL JETS + COLOUR LIGHT			
Position Num.	Part Nº SPARE	Description SPARE	Quant.
1	303325R	SPA SUPPORT	12
4	REMP0046	WHITE-STAINLESS STEEL AIR NOZZLE	16
5	REMP0051	WHITE SPA DRAIN 2 1/2"	8
6	REMP0034	DIGITAL BUTTON IP68 ALUM. AIR	1
7	REMP0033	DIGITAL BUTTON IP68 ALUM. WATER	1
8	RPOR0003	GREY DRAIN SET - BODY+COVER+ASSEMBLY	2
10	RCOM0063	HIGH INTENSITY COLOURS LED SPOTLIGHTS + STEEL ESCUTCHEON SPOTLIGHT	4
15	RPOR0235	JET BODY SET RD 2"	20
16	RPOR0230	FRONTAL JET 2" STAINLESS STEEL DIRECTIONAL	12
17	RPOR0260	JET TWIN ROTO 2" INOX	8
31	REMP0061	BLACK ROUND HEADREST SPA	2
95	04035R0000	BASE BOQUILLA IMP.SPA (R. INT)	3
96	04034R0001	J.PLANA 59X81X4 EPDM 55 BL	6

VALID FROM 15/01/2016

According to our policy of continuous improvement, dimensions, features or components of this product can be partially or completely changed without prior notice. It's Customer responsibility to verify that this is the last version of the drawing

Change No.	Date	Name	Modification
02	19/04/2016	I.Pozo	New Templates
01	01/07/2011	J.Jorba	

Remarks Dimensions in mm. General Tolerances +/- 10mm			SPARE DRAWING		
Drawn	14/10/2009	M.Baraut			
Checked	14/10/2009	A.Deu		46027	02
Scale	1:17.5	General Tolerance			
Sheet	3/3	DIN 7168 ISO 2768g			